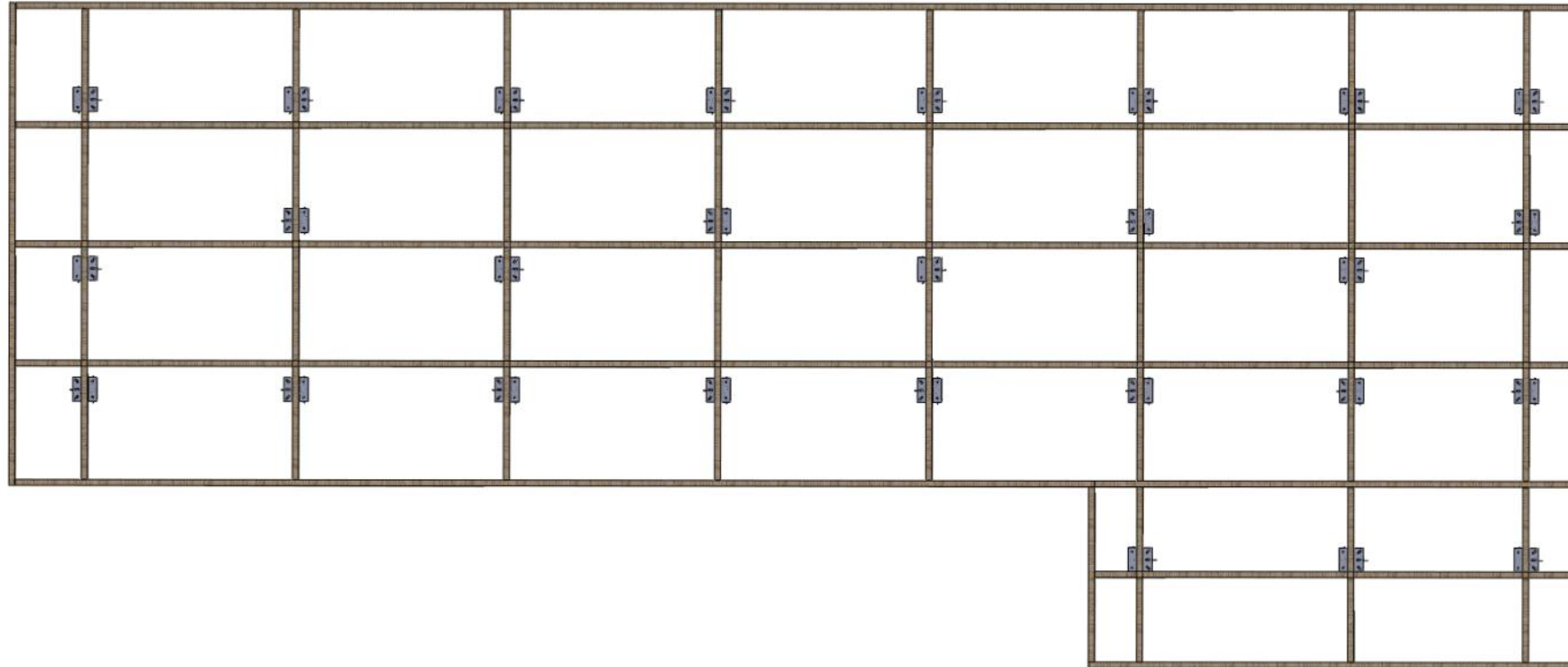
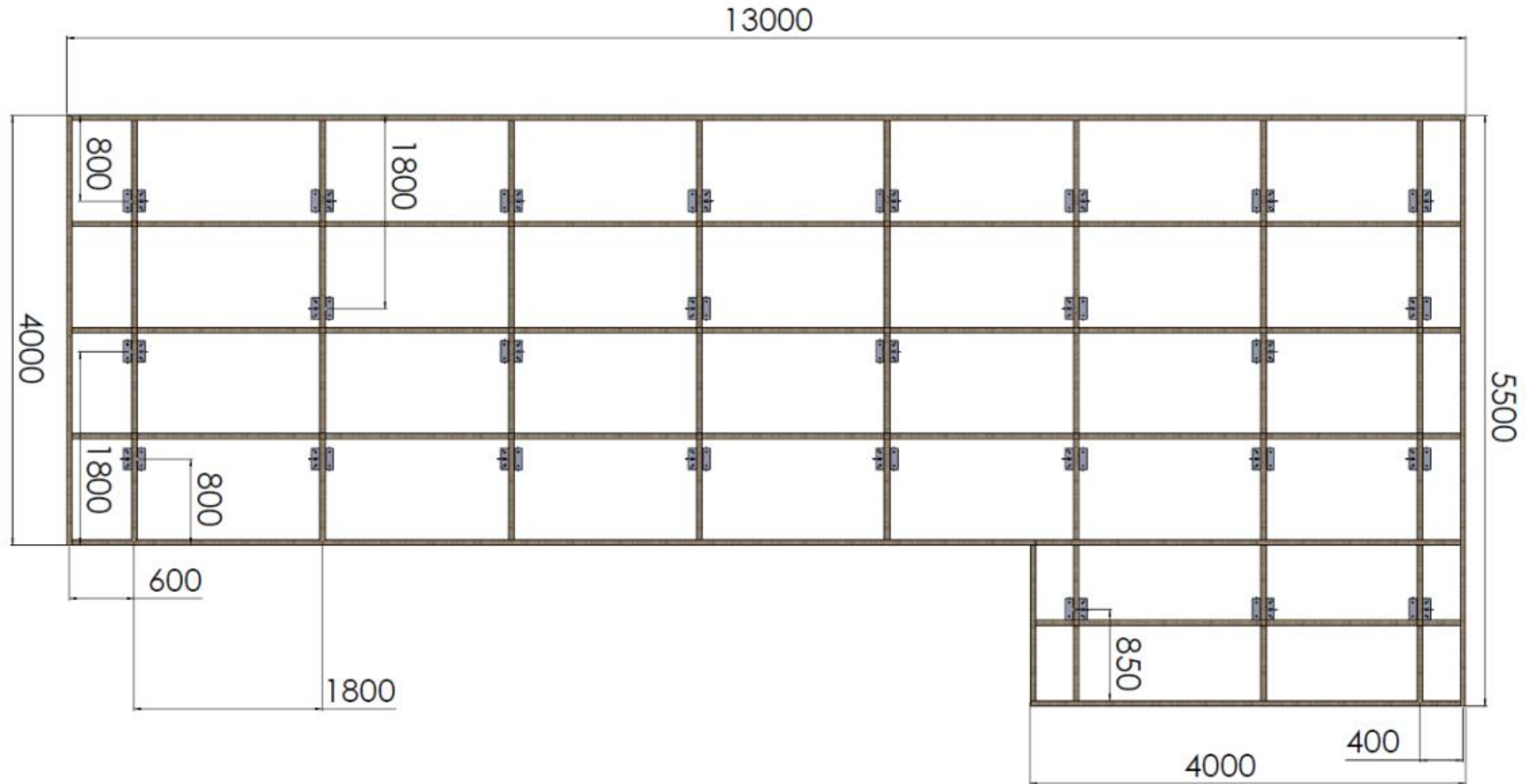


Registered Office: North House 198 High Street, Tonbridge, Kent, TN9 1BE
Company Registration No. 04023935, VAT Registered No.656490607



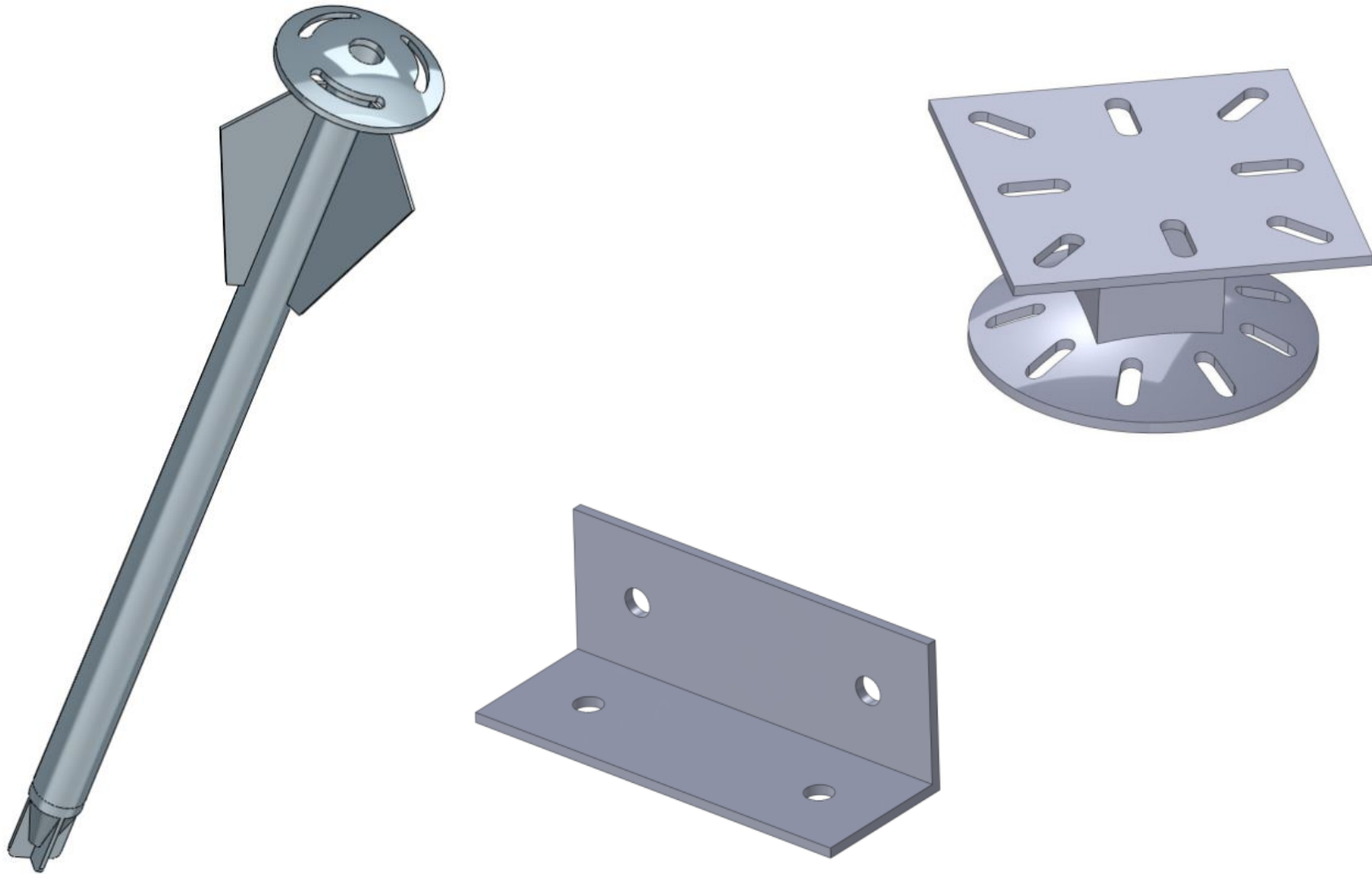
Registered Office: North House 198 High Street, Tonbridge, Kent, TN9 1BE
Company Registration No. 04023935, VAT Registered No.656490607



Registered Office: North House 198 High Street, Tonbridge, Kent, TN9 1BE
Company Registration No. 04023935, VAT Registered No.656490607



Registered Office: North House 198 High Street, Tonbridge, Kent, TN9 1BE
Company Registration No. 04023935, VAT Registered No.656490607



Registered Office: North House 198 High Street, Tonbridge, Kent, TN9 1BE
Company Registration No. 04023935, VAT Registered No.656490607